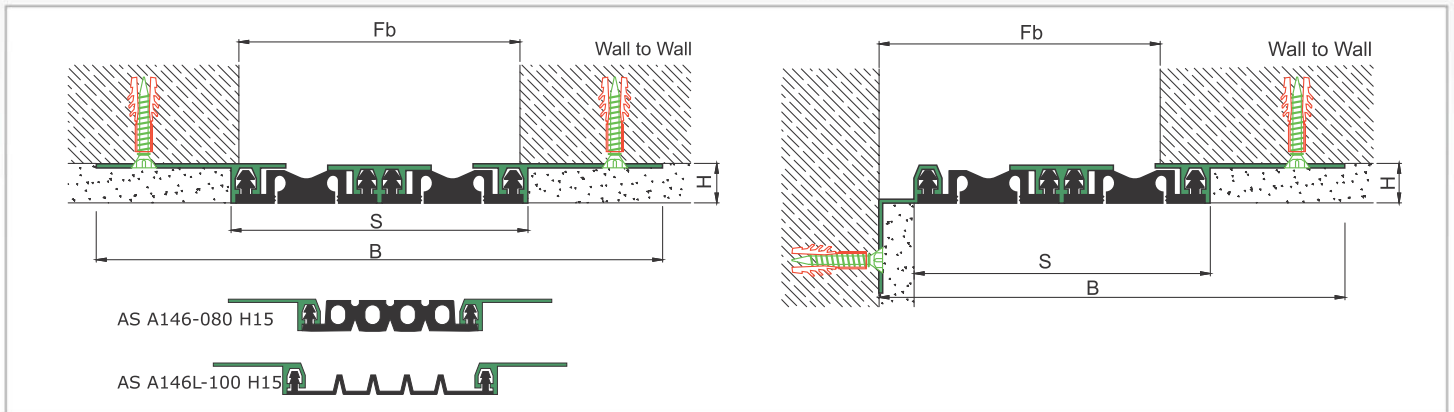
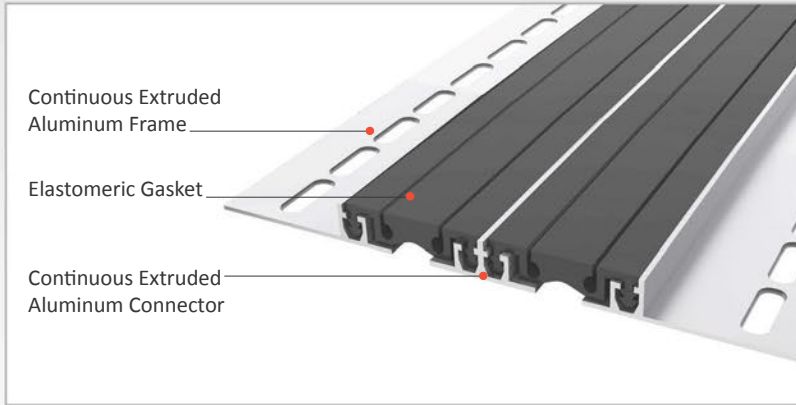




AS A146 profile can be considered as flush mounted type of AS U143 and can easily be installed by means of screws to all types of wall & ceiling. Especially recommended for drywall applications. Push-down elastomeric gasket can be changed without demounting the profile. Profiles up to 80 mm gap are manufactured with single gasket while the wider ones are with double gaskets joined with a connector profile. For some gaps, profile can be applied with floor type AS A246 and this dual application brings in a decorative aspect.

- Application Areas** : Indoor / Wall & Ceiling
- Ideal for** : Shopping Malls, Airports, Residences, Hospitals, Hotels, Commercial & Public Buildings etc.
- Material** : Mill Finish Aluminum (Anodizing optional), TPE Gasket
- Aluminum Alloy** : 6063 AA-USA / EN AW 6063
- Optional Supplies** : Fire Barrier, Waterproof EPDM membrane



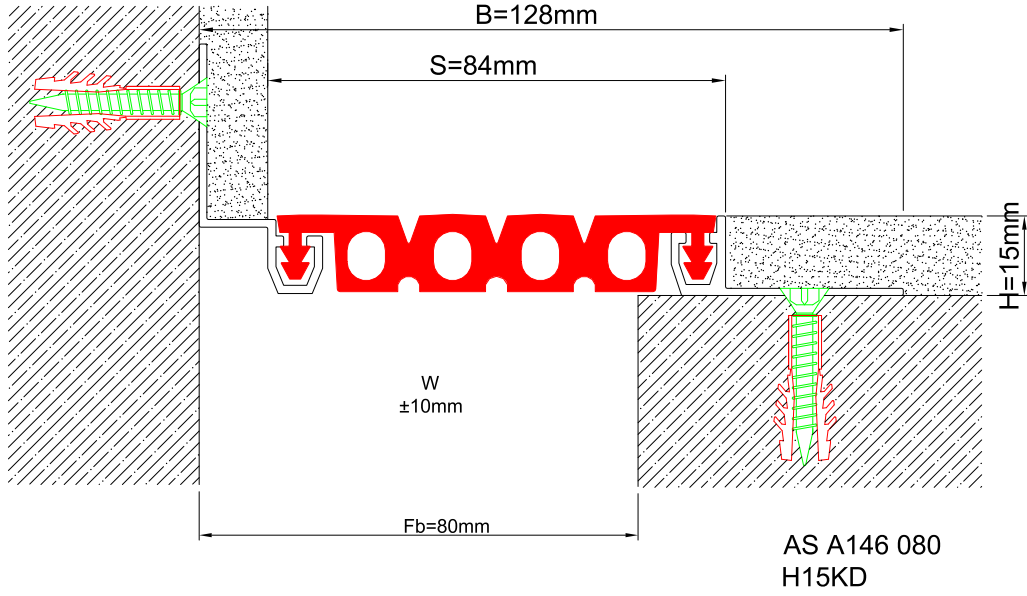
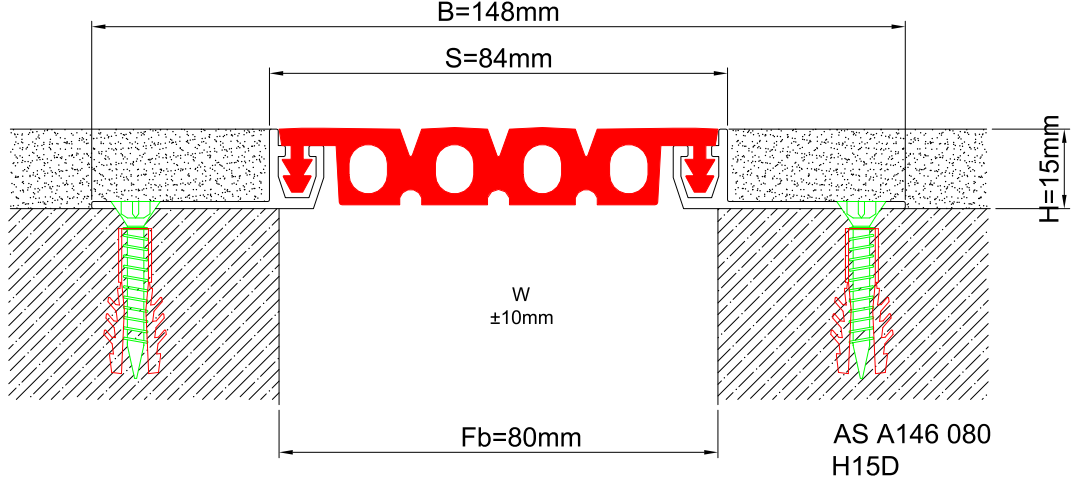
\* Visuals are representative and the profile configuration may differ depending on the characteristics requested.

GASKET COLORS: **BLACK** | GREY | **BEIGE** | Custom Colors available.

LOCATION	MODEL	GAP (Fb) mm	HEIGHT (H) MM	OVERALL WIDTH (B) mm	VISIBLE WIDTH (S) mm	MOVEMENT (W) mm	LOAD CAPACITY	STANDARD LENGTH (mt)
Wall to Wall	AS A146-030	30	15	97	32	± 5	N/A	3
	AS A146-050	50	15	117	52	± 7	N/A	3
	AS A146-065	65	15	132	67	± 8	N/A	3
	AS A146-080	80	15	147	82	± 10	N/A	3
	AS A146-100	100	15	200	104	± 14	N/A	3
	AS A146L-050	50	15	118	54	+16 / -8	N/A	3
	AS A146L-080	80	15	143	79	± 20	N/A	3
	AS A146L-100	100	15	163	100	+30 / -20	N/A	3

Note: Please ask for different sizes





Profil No Profile Number	AS A146 080	AS A146 080K
Fb (mm)	80	80
H (mm) yaklaşık approx.	15	15
W± (mm) yaklaşık approx.	±10	±10
Renk Color	Alüminyum: Natürel, Fitiller: Siyah, gri, diğer Aluminum: Natural, Inserts: Black, grey, others	
Malzeme Material	Alüminyum, Termoplastik Kauçuk (gri ve diğer) Aluminum, Thermoplastic Rubber (grey and others)	
Standart Uzunluk Standard Length	3	