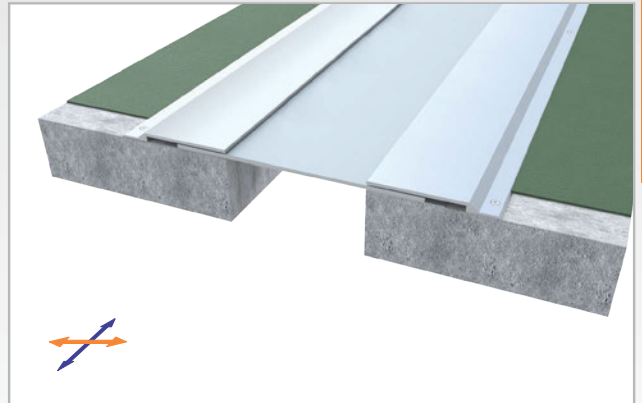
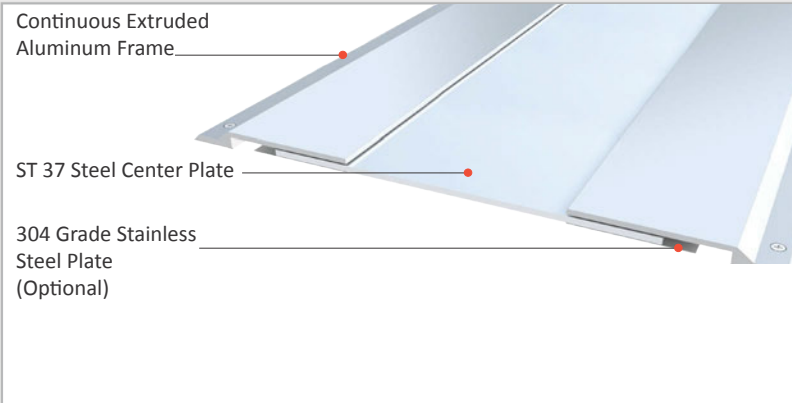
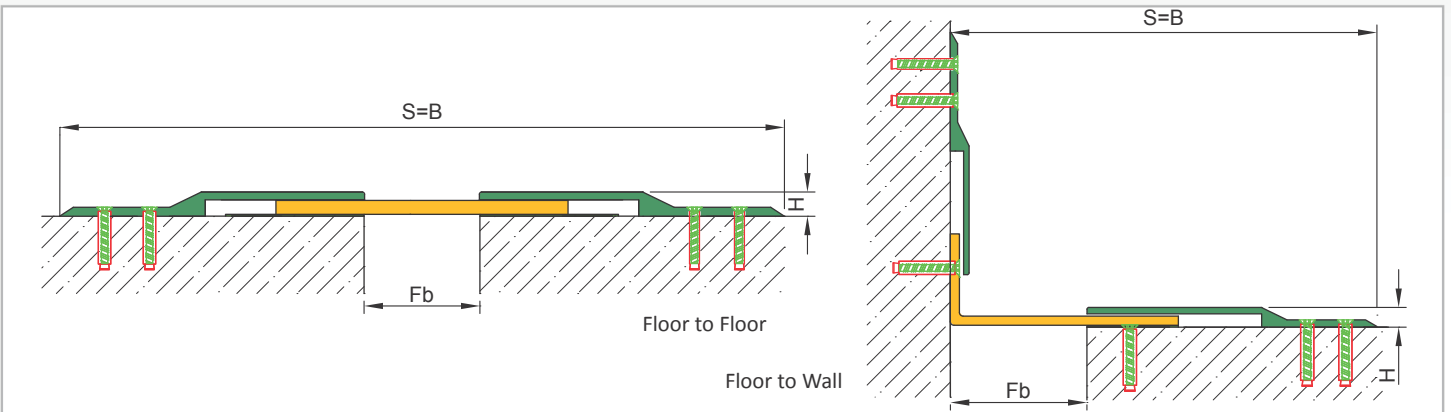


AS U202 surface mounted profile can be applied to all types of floors and load bearing capacity is designed for cars. Easy installation, pure metal structure, maintenance-free and wear resistance properties make it favorable also for places with heavy pedestrian traffic. Base frames of the profile are fixed on the surface and movable center plate meets horizontal and lateral shear displacements.

- Application Areas** : Indoor & Outdoor / Floor
- Ideal for** : Car Parks, Airports, Shopping Malls, Residences, Hospitals, Hotels, Commercial and Public Buildings etc.
- Material** : Mill Finish Aluminum (Anodizing optional), ST 37 Steel, Stainless Steel
- Aluminum Alloy** : 6063 AA-USA / EN AW 6063
- Optional Supplies** : Fire Barrier, Waterproof EPDM membrane



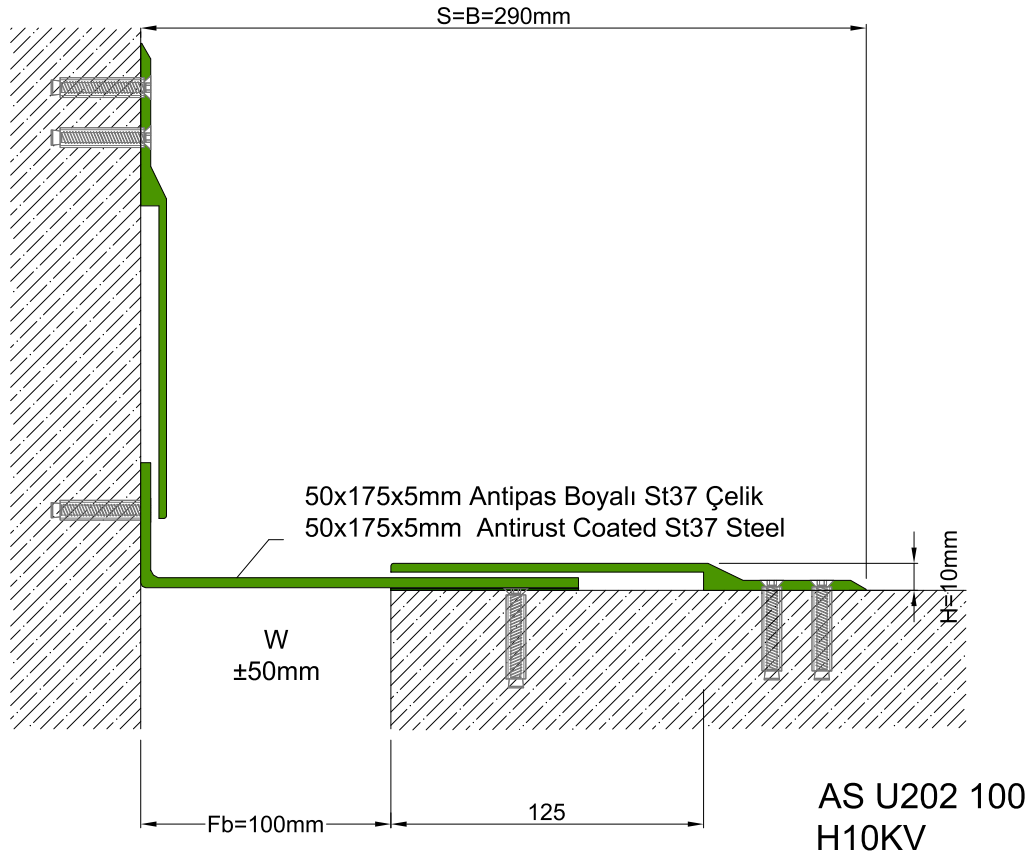
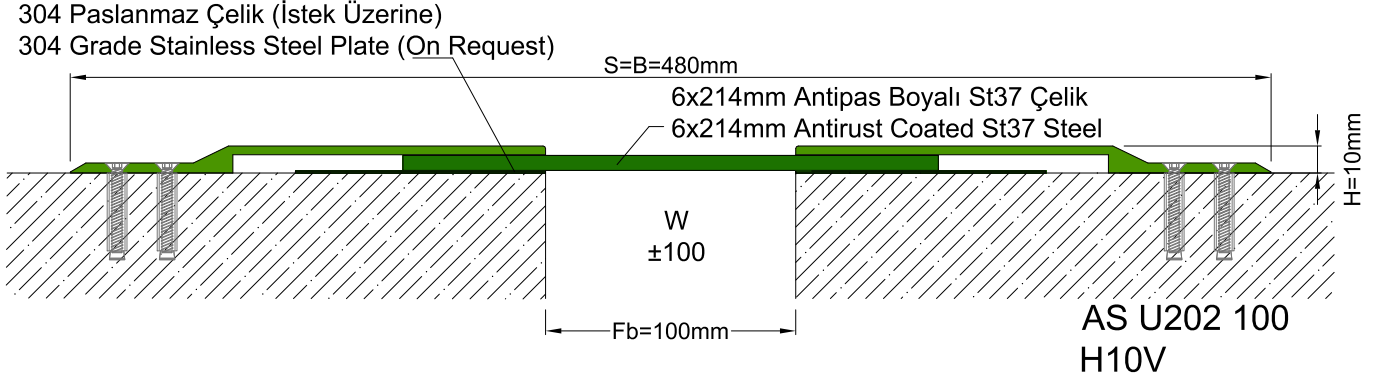
**FLOOR**



\* Visuals are representative and the profile configuration may differ depending on the characteristics requested.

LOCATION	MODEL	GAP (Fb) mm	HEIGHT (H) MM	OVERALL WIDTH (B) mm	VISIBLE WIDTH (S) mm	MOVEMENT (W) mm	LOAD CAPACITY	STANDARD LENGTH (mt)
Floor to Floor	AS U202-100	100	10	480	480	±100		3
	AS U202-150	150	10	530	530	±100		3
	AS U202-200	200	10	580	580	±100		3
	AS U202-250	250	10	630	630	±100		3

Note: Please ask for different sizes



Profil No Profile Number	AS U202 100	AS U202 100K
Fb (mm)	100	100
H (mm) yaklaşık approx.	10	10
W± (mm) yaklaşık approx.	±100	±50
Renk Color	Alüminyum: Natürel, Paslanmaz Çelik: Natürel, St37 Çelik: Gri Aluminum: Natural, Stainless Steel: Natural, St37 Steel: Grey	
Malzeme Material	Alüminyum, Paslanmaz Çelik, St37 Çelik Aluminum, Stainless Steel, St37 Steel	
Standart Uzunluk Standard Length	3	
Yükleme Kapasitesi Load-Bearing Capacity	