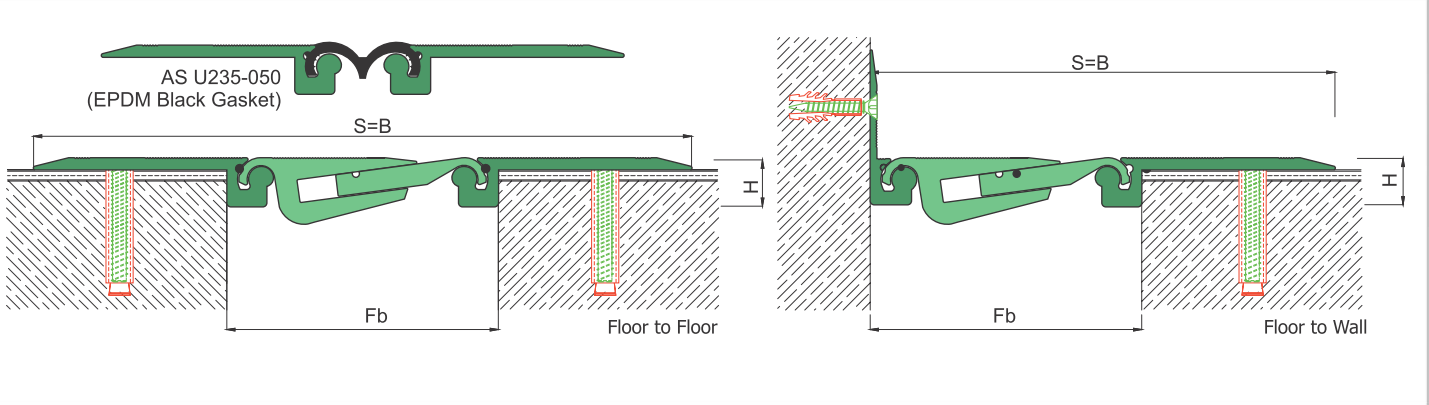
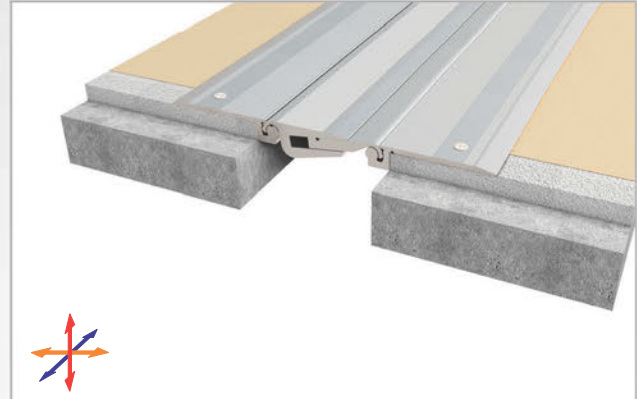
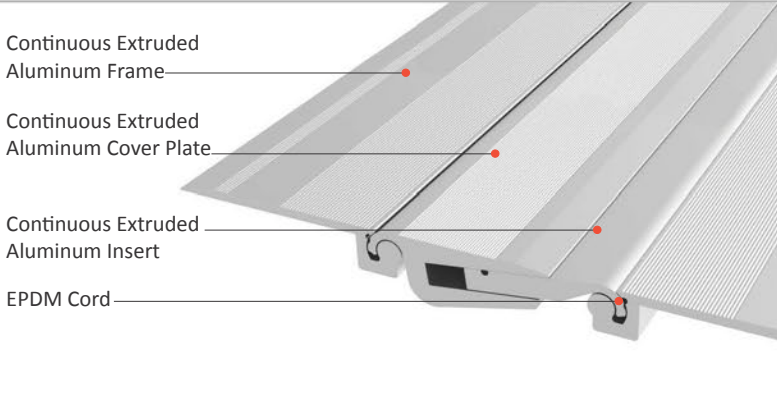




AS U235 surface mounted profile is particularly designed for areas with heavy vehicle traffic. Pure metal structure characterizes AS U235 as a hardwearing & maintenance free profile and makes it favourable also for the places with heavy pedestrian traffic. Hinged profile system and freely moving center pieces let the profile to meet displacements in 3 directions. Striated profile surface prevents slipping while the EPDM cords placed between the profiles eliminate metal stroking noise and minimize liquid leakage risk. For flush mounted applications AS A225 model is available. Profiles are delivered factory-assembled.

- Application Areas** : Indoor & Outdoor / Floor
- Ideal for** : Factories, Warehouses, Car Parks, Shopping Malls, Airports, Commercial & Public Buildings etc.
- Material** : Mill Finish Aluminum (Anodizing optional), EPDM Cord
- Aluminum Alloy** : 6063 AA-USA / EN AW 6063
- Optional Supplies** : Fire Barrier, Waterproof EPDM membrane

FLOOR

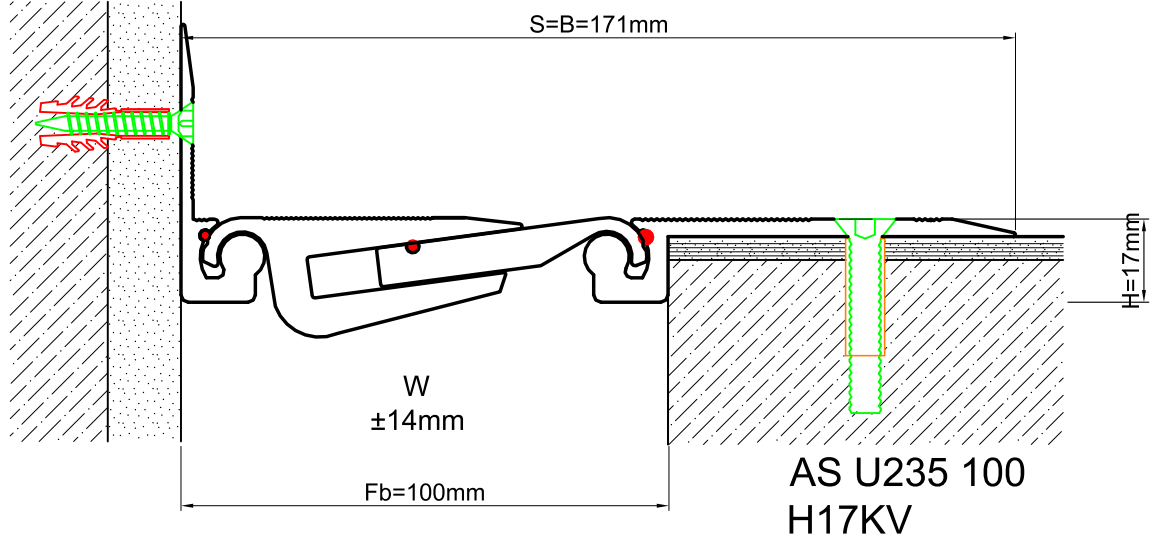
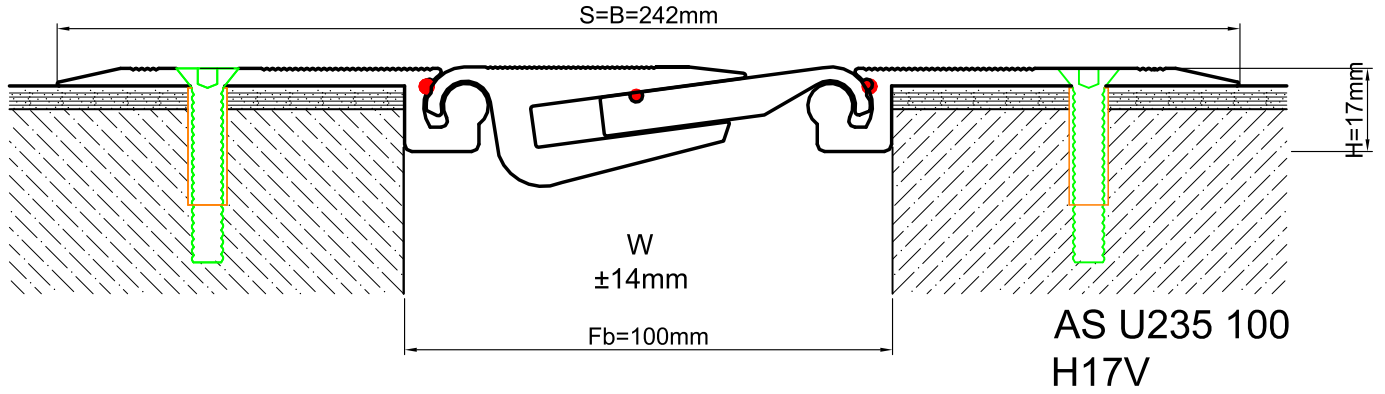



* Visuals are representative and the profile configuration may differ depending on the characteristics requested.

LOCATION	MODEL	GAP (Fb) mm	HEIGHT (H) MM	OVERALL WIDTH (B) mm	VISIBLE WIDTH (S) mm	MOVEMENT (W) mm	LOAD CAPACITY	STANDARD LENGTH (mt)
Floor to Floor	AS U235-050	50	17 / 18	192	192	+10 / -5	25 kN 120 kN	3
	AS U235-070	70	17 / 18	212	212	± 8	35 kN 120 kN	3
	AS U235-080	80	17 / 18	222	222	± 8	35 kN 90 kN	3
	AS U235-100	100	17 / 18	242	242	± 14	25 kN 60 kN	3
	AS U235-130	130	17 / 18	272	272	± 14		3

Note: Please ask for different sizes





Profil No Profile Number	AS U235 100	AS U235 100K
Açıklık (Fb) mm Gap (Fb) mm	100	100
Yükseklik (H) mm Coating thickness (H) mm	17	17
Hareket Kapasitesi (W) mm Movement capacity (W) mm approx	±14	±14
Renk Color	Alüminyum: Natürel, Fitiller: Siyah Aluminium: Natural, Inserts: Black	
Standart Uzunluk (m) Standard Length (m)	3	
Yükleme Kapasitesi Load-bearing Capacity	25 kN 	60kN 