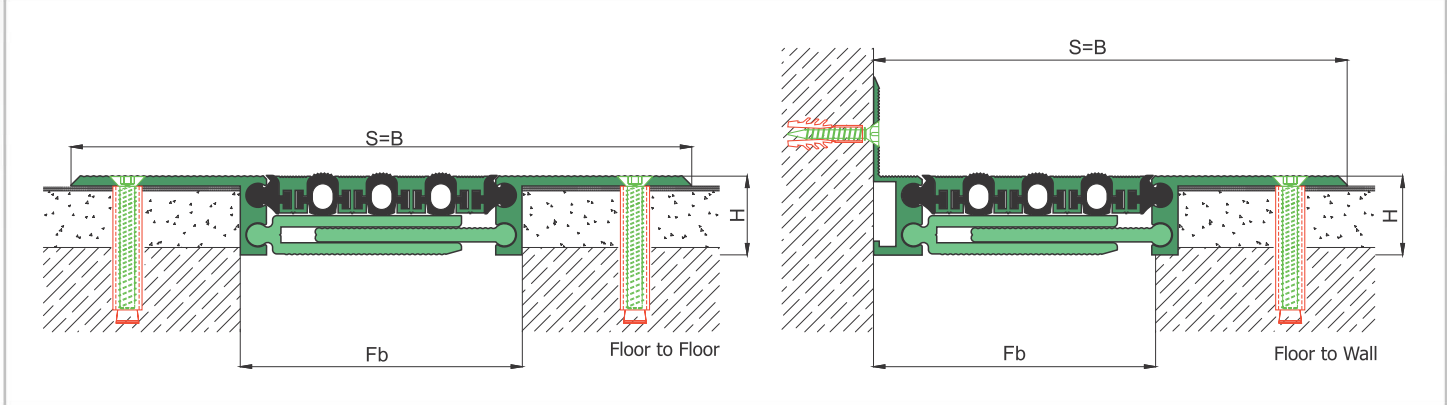
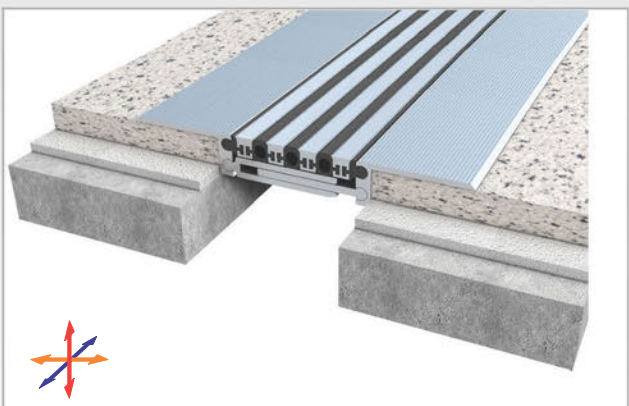
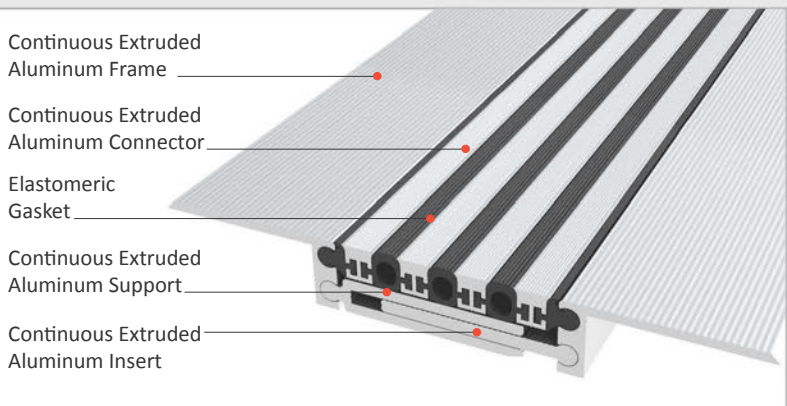




AS U236 surface mounted floor profiles can easily be applied to all types of floors and load bearing capacity is designed for heavy vehicles, cars or pedestrians depending on the gap inquired. Adjustable interlocking profile and gasket configuration makes it available for gaps up to 200 mm and enables to meet displacements in 3 directions. If inquired, AS U236 can be applied with wall type AS U136 and this dual application brings in a decorative aspect. Profiles are delivered factory-assembled.

- Application Areas** : Indoor & Outdoor / Floor  
**Ideal for** : Factories, Warehouses, Car Parks, Shopping Malls, Airports, Residences, Hospitals, Hotels, Public & Commercial Buildings etc.  
**Material** : Mill Finish Aluminum (Anodizing optional), TPE Gasket  
**Aluminum Alloy** : 6063 AA-USA / EN AW 6063  
**Optional Supplies** : Fire Barrier, Waterproof EPDM membrane

**FLOOR**



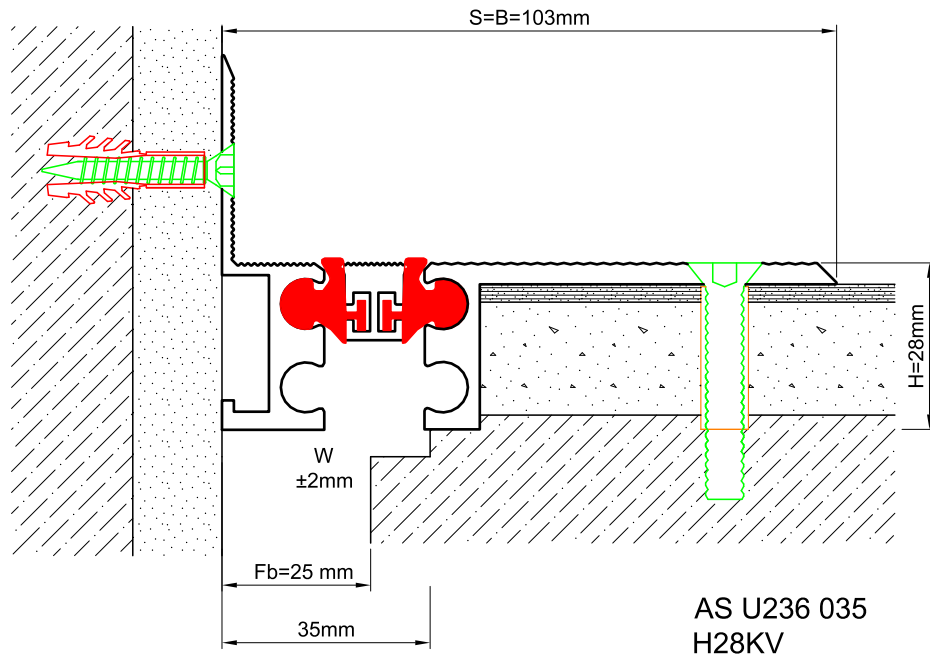
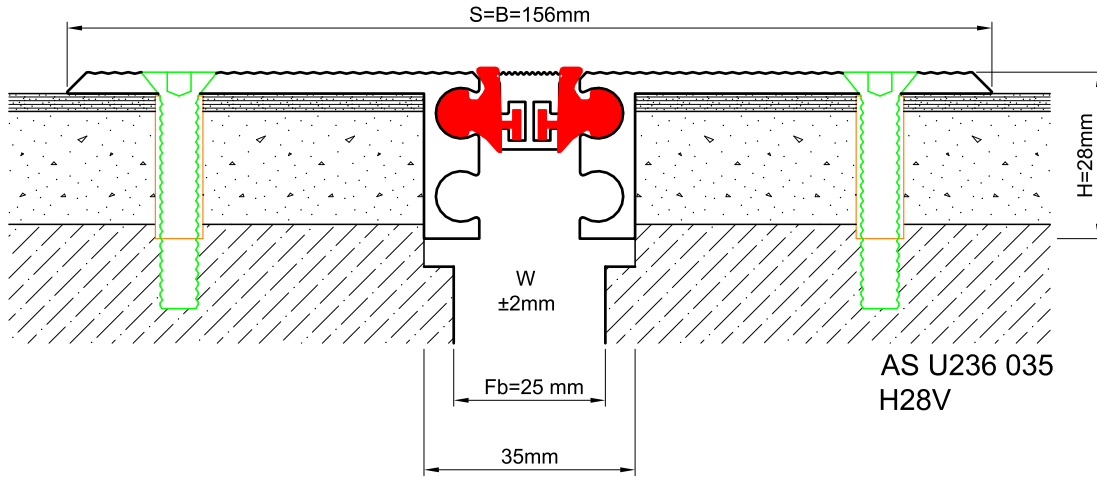
\* Visuals are representative and the profile configuration may differ depending on the characteristics requested.


GASKET COLORS: BLACK, GREY, BEIGE, Custom Colors available.

LOCATION	MODEL	GAP (Fb) mm	HEIGHT (H) MM	OVERALL WIDTH (B) mm	VISIBLE WIDTH (S) mm	MOVEMENT (W) mm	LOAD CAPACITY	STANDARD LENGTH (mt)
Floor to Floor	AS U236-035	35	28	155	155	± 2	70 kN  120 kN	3
	AS U236-060	60	28	180	180	± 4	35 kN  90 kN	3
	AS U236-080	80	28	200	200	± 6	25 kN  50 kN	3
	AS U236-100	100	28	220	220	± 8		3
	AS U236-120	120	28	240	240	± 10		3
	AS U236-160	160	28	280	280	± 16		3
	AS U236-200	200	28	320	320	± 18		3

Note: Please ask for different sizes





Profil No Profile Number	AS U236 035	AS U236 035 K
Fb (mm)	25	25
H (mm) yaklaşık approx.	28	28
W± (mm) yaklaşık approx.	±2	±2
Renk Color	Alüminyum: Natürel, Filtiller: Siyah, gri, diğer Aluminum: Natural, Inserts: Black, grey, others	
Malzeme Material	Alüminyum, TPE Termoplastik Elastomer Aluminum, TPE Thermoplastic Elastomer	
Standart Uzunluk Standard Length	3	
Yükleme Kapasitesi Load-Bearing Capacity	70kN 	120kN 