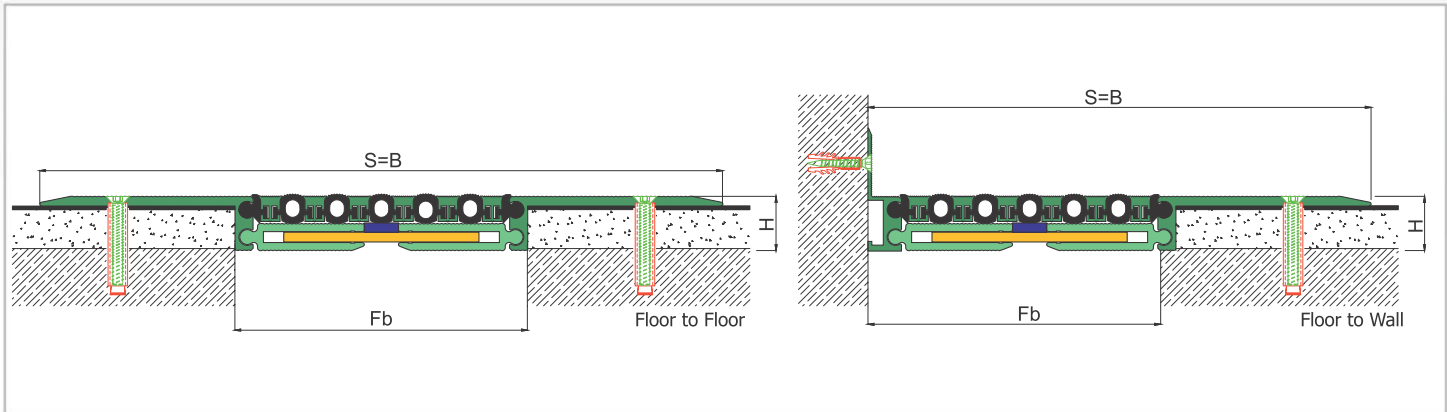
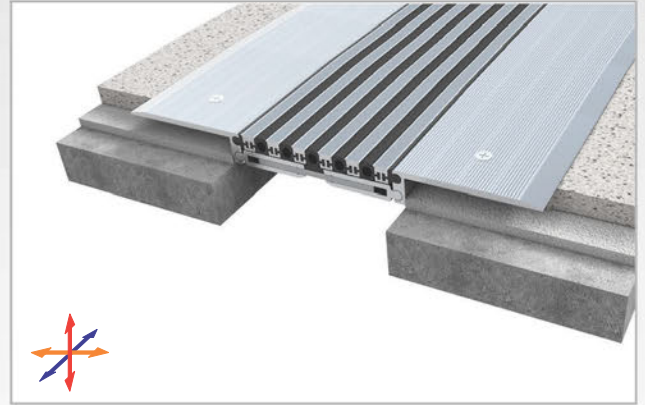
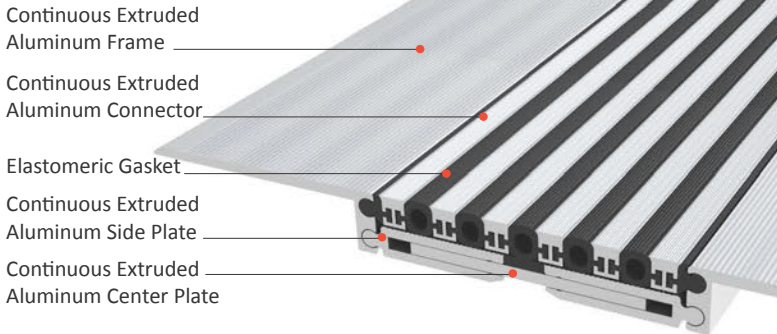




AS U240 surface mounted profile can easily be applied to all types of floors and load bearing capacity is designed for cars. Adjustable interlocking profile and gasket configuration makes it available for gaps up to 200 mm and enables to meet displacements in 3 directions. Quite wide designed frames make AS U240 ideal for wavelike joints and striated surface ensures antislip. Profiles are delivered factory assembled.

- Application Areas** : Indoor & Outdoor / Floor
- Ideal for** : Car Parks, Airports, Shopping Malls, Hospitals, Commercial & Public Buildings etc.
- Material** : Mill Finish Aluminum (Anodizing optional), TPE Gasket
- Aluminum Alloy** : 6063 AA-USA / EN AW 6063
- Optional Supplies** : Fire Barrier, Waterproof EPDM membrane

FLOOR



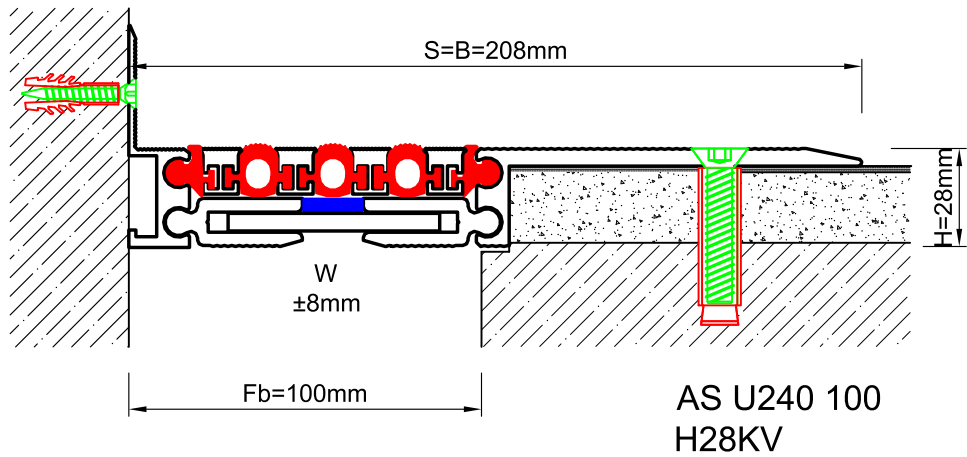
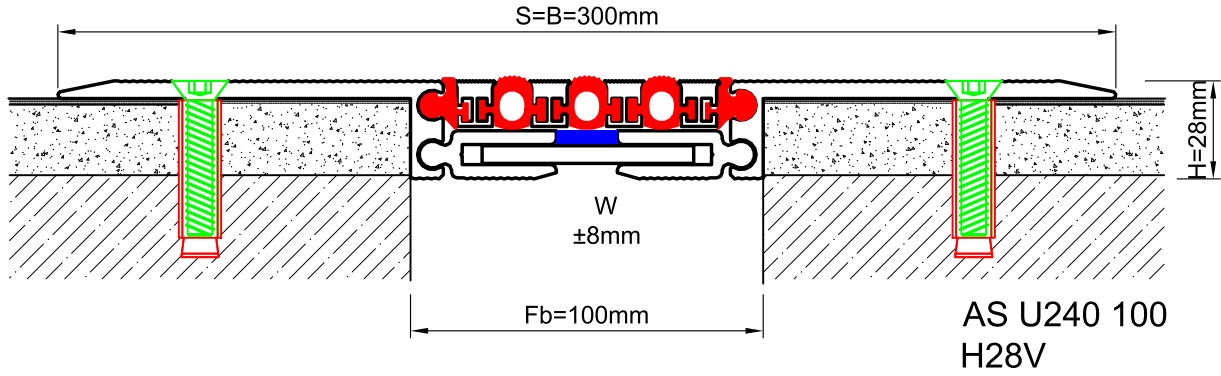
* Visuals are representative and the profile configuration may differ depending on the characteristics requested.



LOCATION	MODEL	GAP (Fb) mm	HEIGHT (H) MM	OVERALL WIDTH (B) mm	VISIBLE WIDTH (S) mm	MOVEMENT (W) mm	LOAD CAPACITY	STANDARD LENGTH (mt)
Floor to Floor	AS U240-100	100	28	300	300	± 8		3
	AS U240-120	120	28	320	320	± 10		3
	AS U240-160	160	28	360	360	± 14		3
	AS U240-180	180	28	380	380	± 16		3
	AS U240-200	200	28	400	400	± 18		3

Note: Please ask for different sizes





Profil No Profile Number	AS U240 100	AS U240 100K
Fb (mm)	100	100
H (mm) yaklaşık approx.	28	28
W± (mm) yaklaşık approx.	±8	±8
Renk Color	Alüminyum: Natürel, Fitiller: Siyah, gri, diğer Aluminum: Natural, Inserts: Black, grey, others	
Malzeme Material	Alüminyum, TPE Termoplastik Elastomer Aluminum, TPE Thermoplastic Elastomer	
Standart Uzunluk Standard Length	3	
Yükleme Kapasitesi Load-Bearing Capacity	