



AS A257 flush mounted seismic profile provides a multi-directional movement at gaps up to 150 mm. During the seismic based contractions, specially designed pop-up mechanism ascends the cover plate and gets back to origin after activity is over. Cover plate can be made of aluminum, galvanized or stainless steel at different thicknesses depending the load bearing capacity needed. Ideal for places with pedestrian or vehicle traffic with all types of floor finishes.

Application Areas : Indoor & Outdoor / Floor

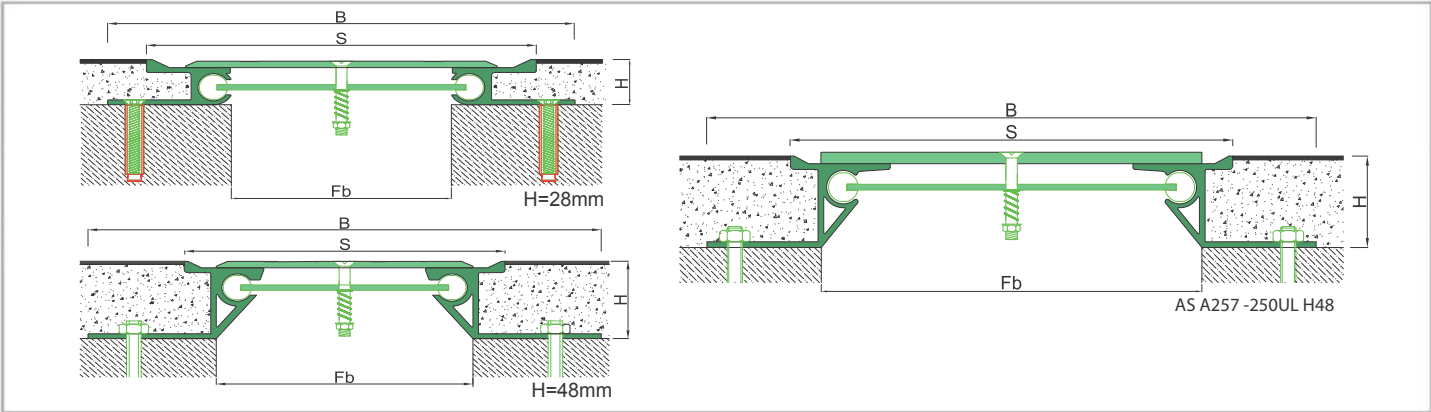
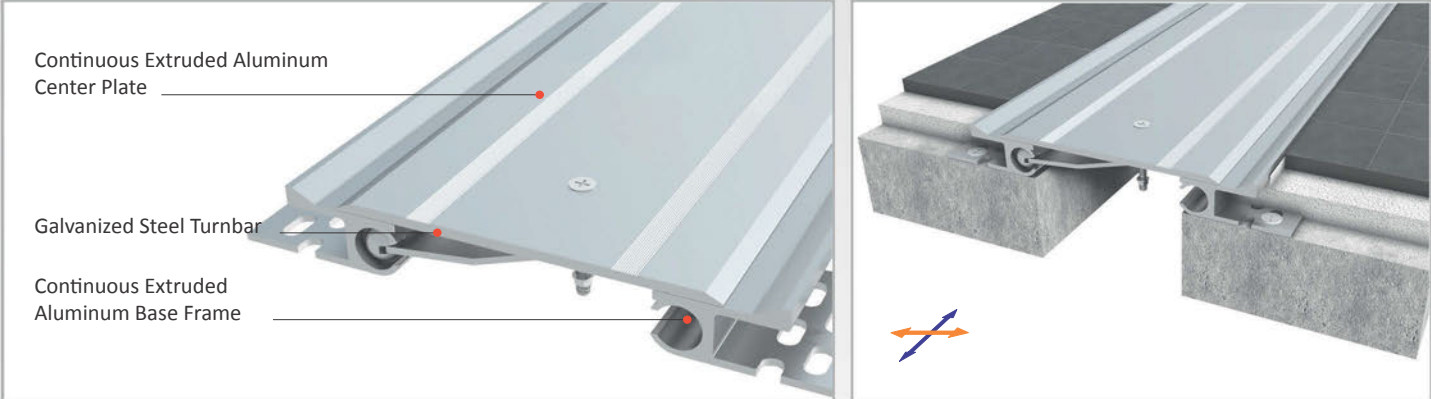
Ideal for : Factories, Warehouses, Car Parks, Airports, Shopping Malls, Residences, Hospitals, Hotels, Commercial & Public Buildings etc.

Material : Anodized Aluminum Cover Plate (Galvanized or Stainless Steel Optional), Mill Finish Aluminum Frame

Aluminum Alloy : 6063 AA-USA / EN AW 6063

Optional Supplies : Fire Barrier, Waterproof EPDM membrane

SEISMIC

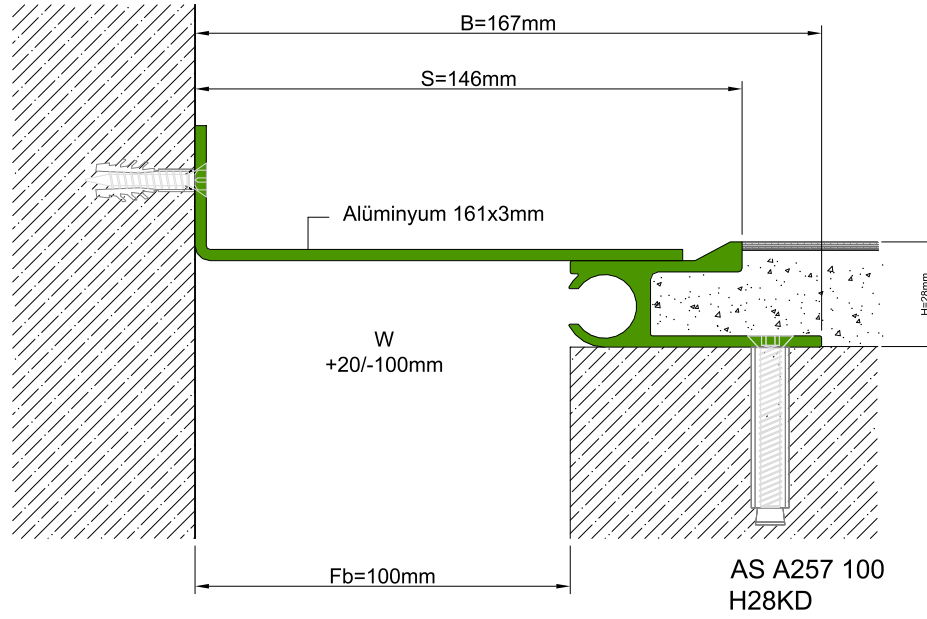
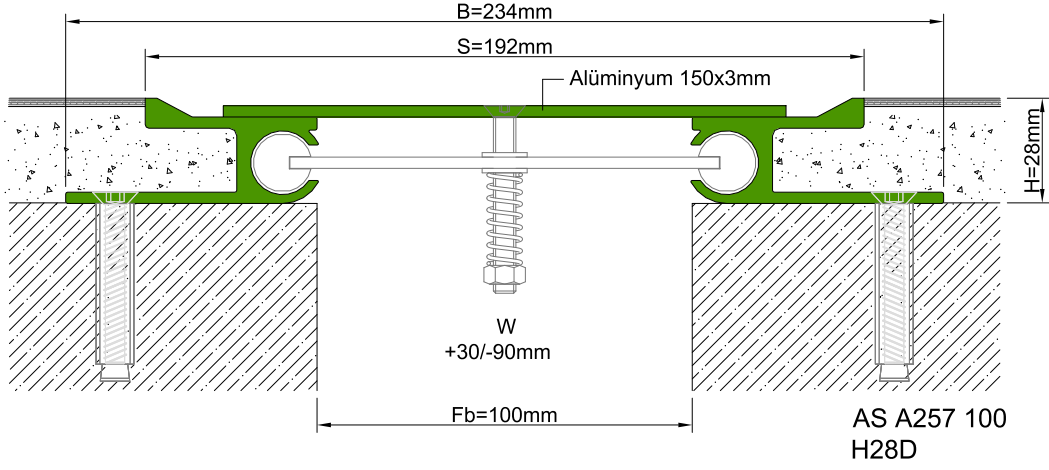


* Visuals are representative and the profile configuration may differ depending on the characteristics requested.

LOCATION	MODEL	GAP (Fb) mm	HEIGHT (H) MM	OVERALL WIDTH (B) mm	VISIBLE WIDTH (S) mm	MOVEMENT (W) mm	LOAD CAPACITY	STANDARD LENGTH (mt)
Floor to Floor	AS A257 -075	75	28	209	167	+30 / -65		3
	AS A257 -100	100	28	234	192	+30 / -90		3
	AS A257 -120	120	28	254	212	+40 / -110		3
	AS A257 -150	150	28	284	242	+40 / -135		3
	AS A257 -050	50	28	184	142	+25 / -40		3
	AS A257 -100	100	48	240	135	+20 / -50		3
	AS A257 -150	150	48	290	185	+20 / -100		3
	AS A257 -200	200	48	340	235	+20 / -145		3
	AS A257 -250UL	250	48	370	282	+40 / -145		3

Note: Please ask for different sizes





Profil No Profile Number	AS A257 100	AS A257 100K
Fb (mm)	100	100
H (mm) yaklaşık approx.	28	28
W± (mm) yaklaşık approx.	+30/-90	+20/-100
Renk Color	Alüminyum Kapak: Eloksallı, Alüminyum Bağlantı Elemanı: Natürel Aluminum Center Plate: Anodized, Aluminum Base Frame: Natural	
Malzeme Material	Alüminyum Aluminum	
Standart Uzunluk (m) Standard Length (m)	3	
Yükleme Kapasitesi Load - Bearing Capacity	