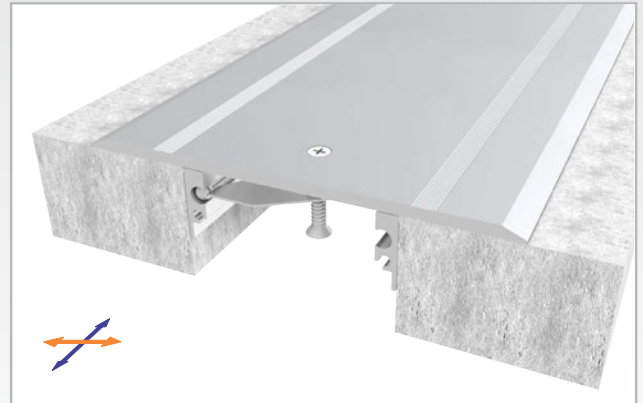
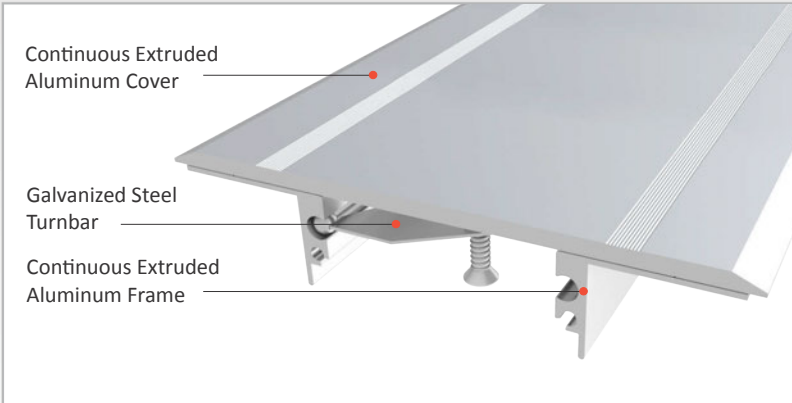


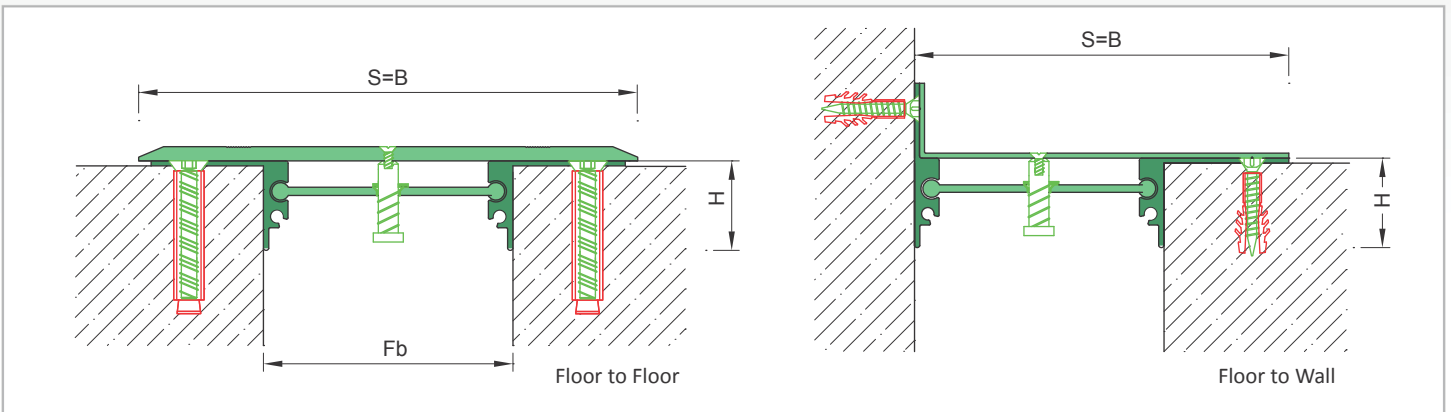


AS U281 surface mounted seismic profile is applicable to all types of floors and meets multi-directional displacements at gaps up to 100 mm. Standard load capacity is designed for pedestrians or cars depending on the gap used. On order, it can be manufactured heavy duty by using galvanized or stainless steel covers at different thicknesses. During the seismic based movements, specially designed mechanism ensures the cover plate to stay in its original position.

- Application Areas** : Indoor & Outdoor / Floor
- Ideal for** : Car Parks, Shopping Malls, Airports, Residences, Hospitals, Hotels, Public & Commercial Buildings etc.
- Material** : Anodized Aluminum Cover ( Galvanized or Stainless Steel Optional), Mill Finish Aluminum Frame
- Aluminum Alloy** : 6063 AA-USA / EN AW 6063
- Optional Supplies** : Fire Barrier, Waterproof EPDM membrane



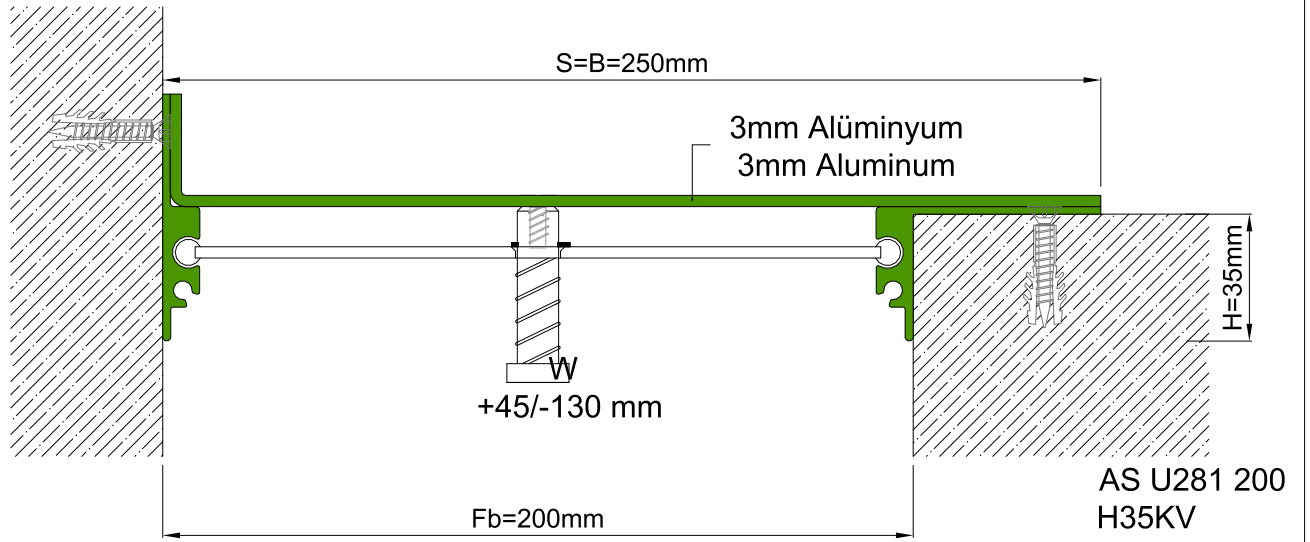
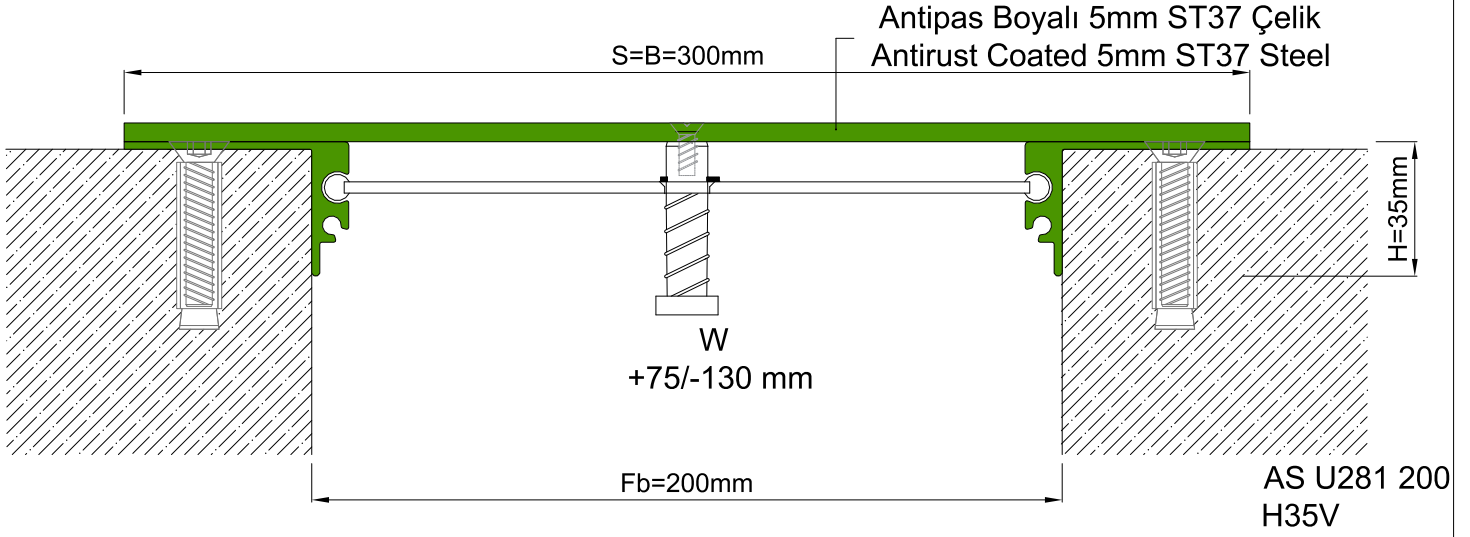
**SEISMIC**



\* Visuals are representative and the profile configuration may differ depending on the characteristics requested.

LOCATION	MODEL	GAP (Fb) mm	HEIGHT (H) MM	OVERALL WIDTH (B) mm	VISIBLE WIDTH (S) mm	MOVEMENT (W) mm	LOAD CAPACITY	STANDARD LENGTH (mt)
Floor to Floor	AS U281-050	50	35	150	150	± 15		3
	AS U281-100	100	35	200	200	+35 /-60		3
	AS U281-150	150	35	250	250	+55 /-95		3
	AS U281-200	200	35	300	300	+75 /-130		3
	AS U281-250	250	35	350	350	+90 /-170		3

Note: Please ask for different sizes



Profil No Profile Number	AS U281 200	AS U281 200K
Fb (mm)	200	200
H (mm) yaklaşık approx.	35	35
W± (mm) yaklaşık approx.	+75/-130	+45/-130
Renk Color	Alüminyum Kapak: Elokssallı, Alüminyum Bağlantı Elemanı: Natürel, ST37 Çelik: Antipas Boyalı Aluminium Cover: Anodized, Aluminum Frame: Natural, ST37 Steel: Antirust Coated	
Malzeme Material	Alüminyum, ST37 Çelik Aluminum, ST37 Steel	
Standart Uzunluk Standard Length	3	
Yükleme Kapasitesi Load-Bearing Capacity	