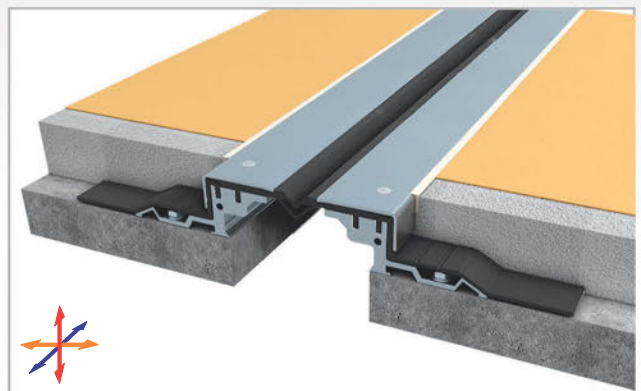
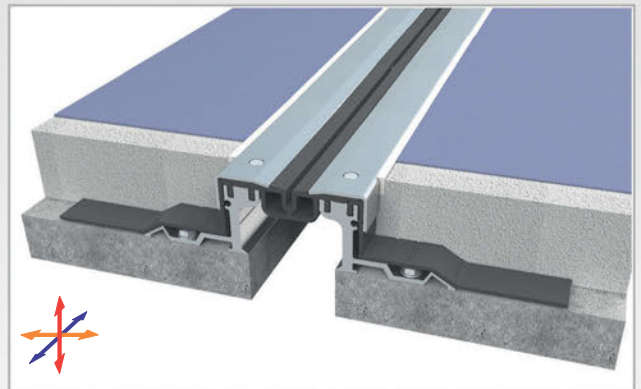
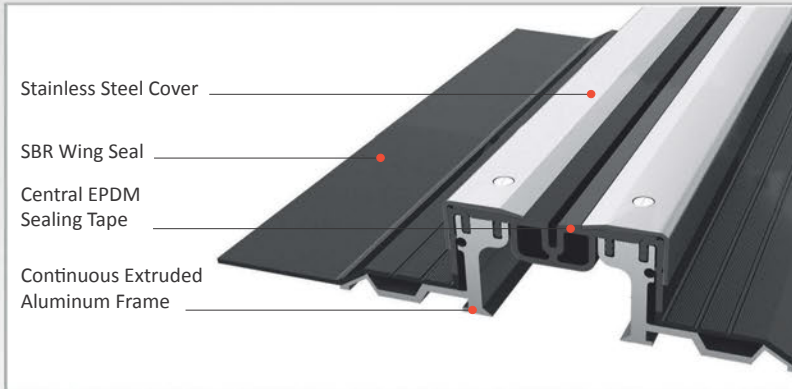


AS A290 heavy duty watertight profile is ideal for floor applications with water leakage risk. Profile is composed of extruded aluminum base frame, interchangeable central sealing gasket, wing seals and stainless steel top cover. Two-layer continuous flexible central gasket eliminates water leakage risk while stainless steel covers protect the gasket and gives a decorative aspect after installation. To ensure watertightness, wing seals can easily be installed with Asteknik's special double-sided butyl tape which is more easy, durable, cost effective and risk free method compared to hot bitumen application.

- Application Areas** : Indoor & Outdoor / Floor
- Ideal for** : Multi-storey or Underground Car Parks, Factories, Warehouses, Hotels, Airports, Shopping Malls, Hospitals etc.
- Material** : Mill Finish Aluminum (Anodizing optional), Stainless Steel, EPDM (Only in Black Color), TPE and SBR gasket
- Aluminum Alloy** : 6063 AA-USA / EN AW 6063
- Optional Supplies** : Fire Barrier, Double Sided Butyl Tape



* Visuals are representative and the profile configuration may differ depending on the characteristics requested.

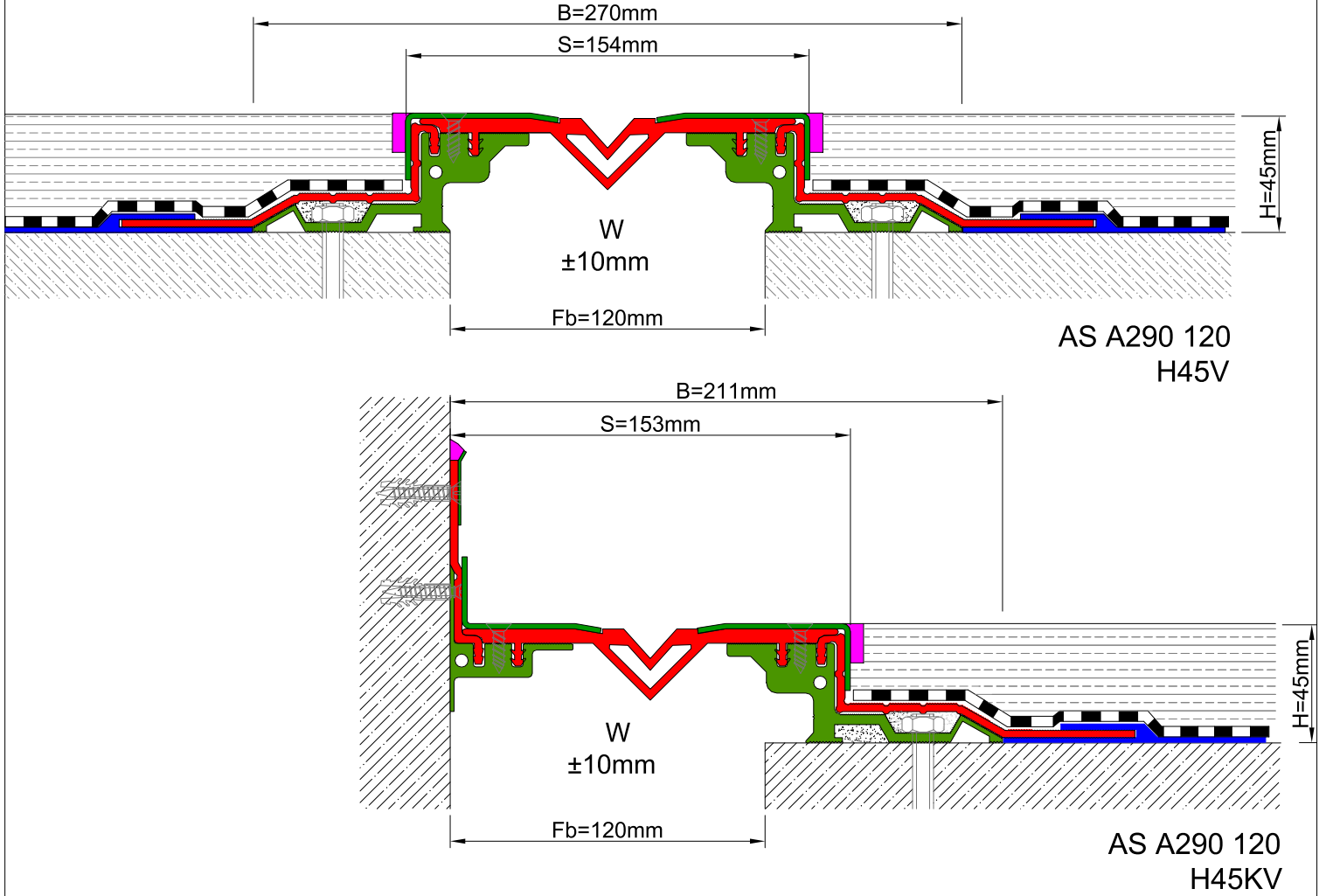
GASKET COLORS **BLACK** GREY BEIGE Custom Colors available.



| LOCATION | MODEL | GAP (Fb) mm | HEIGHT (H) MM | OVERALL WIDTH (B) mm | VISIBLE WIDTH (S) mm | MOVEMENT (W) mm | LOAD CAPACITY | STANDARD LENGTH (mt) |
|----------------|----------------|-------------|---------------|----------------------|----------------------|-----------------|---------------|----------------------|
| Floor to Floor | AS A290-050 | 50 | 20 | 196 | 108 | ± 10 | 25 kN 120 kN | 3 |
| | *AS A290-060W1 | 60 | 45 / 60 | 220 | 103 | ± 20 | 35 kN 300 kN | 3 |
| | AS A290-100 | 100 | 45 / 70 | 250 | 135 | ± 10 | 25 kN 120 kN | 3 |
| | *AS A290-100W1 | 100 | 45 / 70 | 250 | 134 | ± 20 | 25 kN 120 kN | 3 |
| | AS A290-120 | 120 | 45 / 70 | 270 | 154 | ± 10 | 15 kN 90 kN | 3 |
| | AS A290-120W2 | 120 | 45 / 70 | 270 | 150 | ± 30 | 15 kN 90 kN | 3 |
| | *AS A290-120W3 | 120 | 45 / 70 | 279 | 157 | ± 60 | 15 kN 60 kN | 3 |

Note: Please ask for different sizes
 *EPDM or TPE (short gasket)



WATERTIGHT FLOOR



| Profil No Profile Number | AS A290 120 | AS A290 120K |
|---|--|--------------|
| Fb (mm) | 120 | 120 |
| H (mm) yaklaşık approx. | 45 | 45 |
| W± (mm) yaklaşık approx. | ±10 | ±10 |
| Renk Color | Alüminyum: Natürel, Fitiller: Siyah Aluminum: Natural, Inserts: Black | |
| Malzeme Material | Alüminyum, EPDM Kauçuk, SBR Kauçuk, Paslanmaz Çelik Aluminium, EPDM Rubber, SBR Rubber, Stainless Steel | |
| Standart Uzunluk (m) Standard Length (m) | 3 | |
| Yükleme Kapasitesi Load - Bearing Capacity | 15 kN  90kN  | |