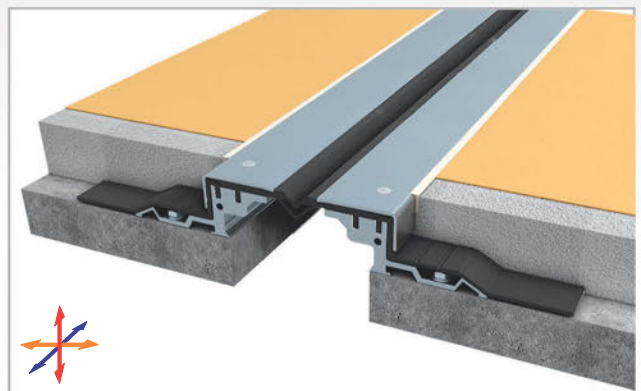
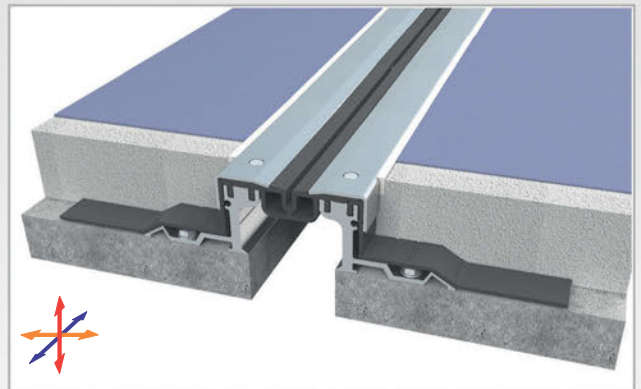
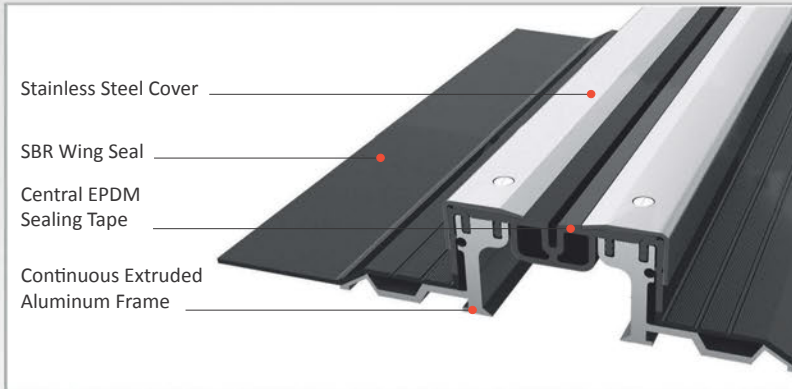


AS A290 heavy duty watertight profile is ideal for floor applications with water leakage risk. Profile is composed of extruded aluminum base frame, interchangeable central sealing gasket, wing seals and stainless steel top cover. Two-layer continuous flexible central gasket eliminates water leakage risk while stainless steel covers protect the gasket and gives a decorative aspect after installation. To ensure watertightness, wing seals can easily be installed with Asteknik's special double-sided butyl tape which is more easy, durable, cost effective and risk free method compared to hot bitumen application.

- Application Areas** : Indoor & Outdoor / Floor
- Ideal for** : Multi-storey or Underground Car Parks, Factories, Warehouses, Hotels, Airports, Shopping Malls, Hospitals etc.
- Material** : Mill Finish Aluminum (Anodizing optional), Stainless Steel, EPDM (Only in Black Color), TPE and SBR gasket
- Aluminum Alloy** : 6063 AA-USA / EN AW 6063
- Optional Supplies** : Fire Barrier, Double Sided Butyl Tape



\* Visuals are representative and the profile configuration may differ depending on the characteristics requested.

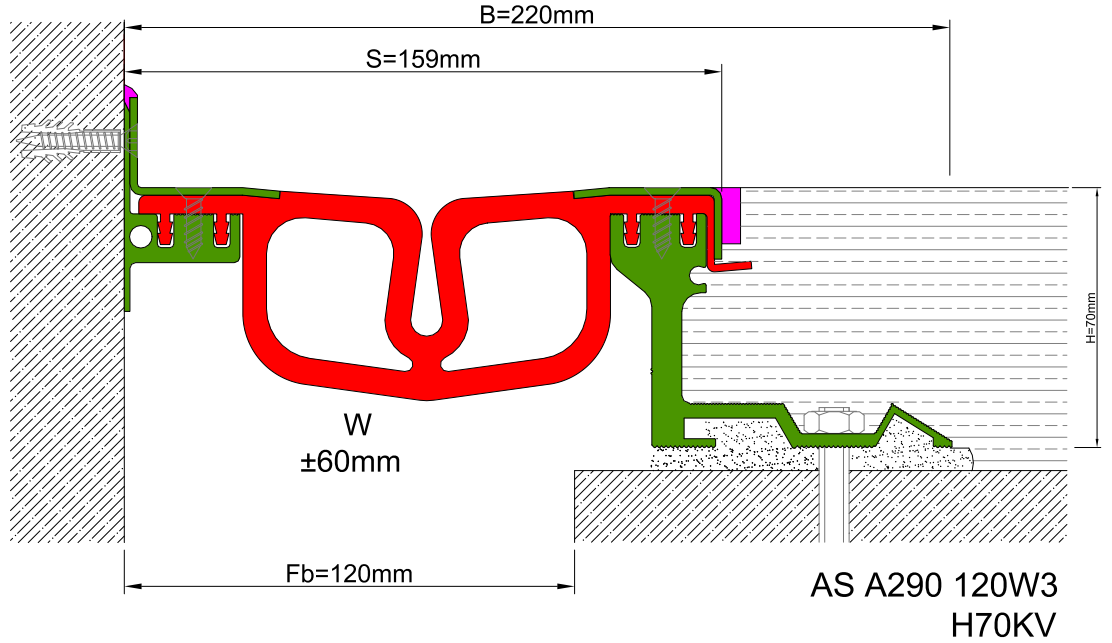
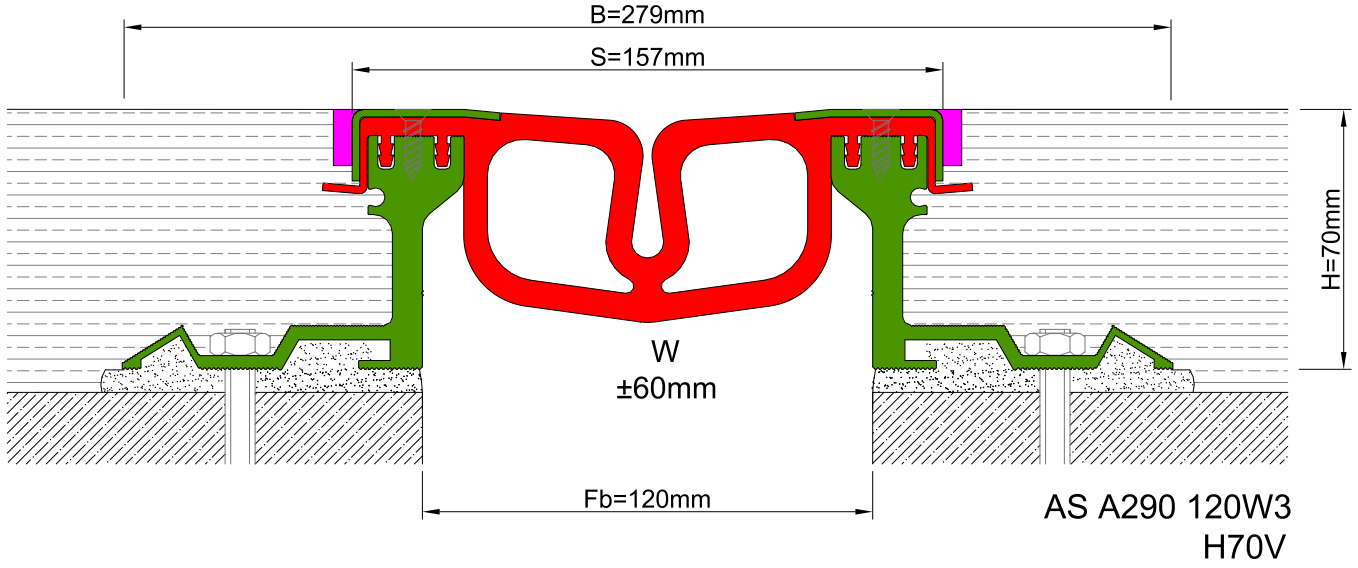
GASKET COLORS    **BLACK**    GREY    BEIGE    Custom Colors available.

LOCATION	MODEL	GAP (Fb) mm	HEIGHT (H) MM	OVERALL WIDTH (B) mm	VISIBLE WIDTH (S) mm	MOVEMENT (W) mm	LOAD CAPACITY	STANDARD LENGTH (mt)
Floor to Floor	AS A290-050	50	20	196	108	± 10	25 kN  120 kN	3
	*AS A290-060W1	60	45 / 60	220	103	± 20	35 kN  300 kN	3
	AS A290-100	100	45 / 70	250	135	± 10	25 kN  120 kN	3
	*AS A290-100W1	100	45 / 70	250	134	± 20	25 kN  120 kN	3
	AS A290-120	120	45 / 70	270	154	± 10	15 kN  90 kN	3
	AS A290-120W2	120	45 / 70	270	150	± 30	15 kN  90 kN	3
	*AS A290-120W3	120	45 / 70	279	157	± 60	15 kN  60 kN	3

Note: Please ask for different sizes  
 \*EPDM or TPE (short gasket)



**WATERTIGHT FLOOR**



Profil No Profile Number	AS A290 120W3	AS A290 120W3 K
Fb (mm)	120	120
H (mm) yaklaşık approx.	70	70
W± (mm) yaklaşık approx.	±60	±60
Renk Color	Alüminyum: Natürel, Fitiller: Siyah Aluminum: Natural, Inserts: Black	
Malzeme Material	Alüminyum, EPDM Kauçuk, SBR Kauçuk, Paslanmaz Çelik Aluminium, EPDM Rubber, SBR Rubber, Stainless Steel	
Standart Uzunluk (m) Standard Length (m)	3	
Yükleme Kapasitesi Load - Bearing Capacity	15 kN  60kN 	